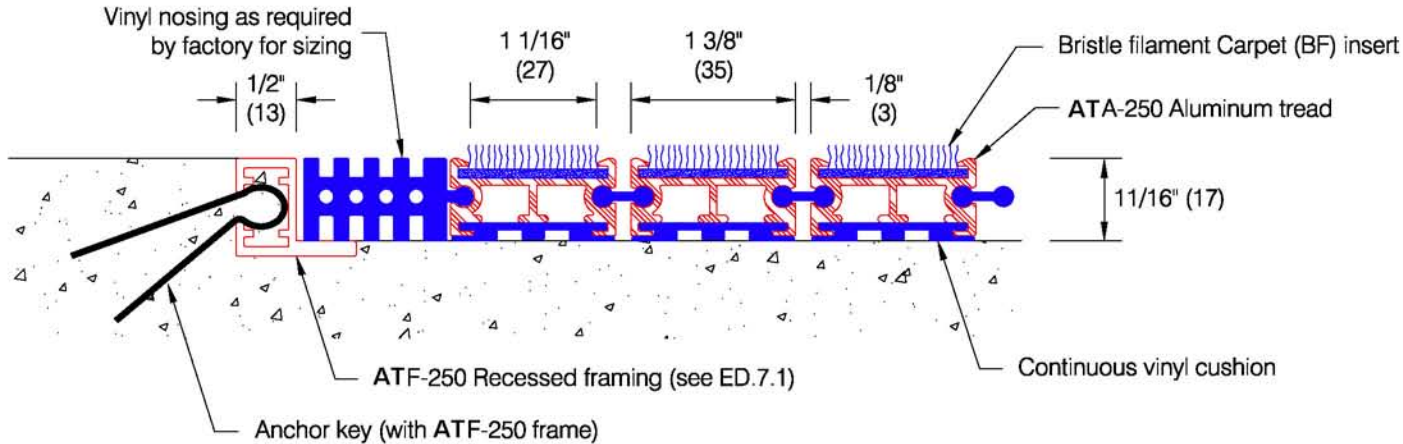


## AT-250 AL-TRACK

## Bristle Filament Carpet Insert



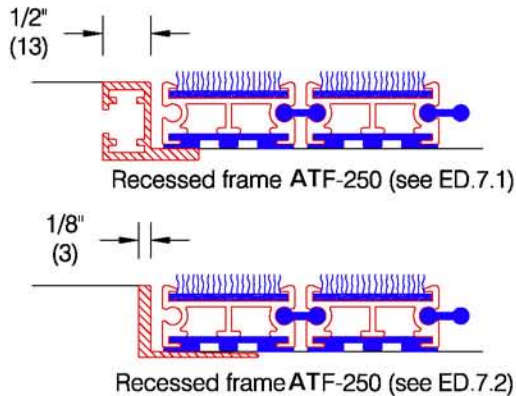
### Features:

- Extruded aluminum treads alloy 6105-T5
- Continuous flexible vinyl cushion for superior noise reduction
- 3/4" (19) deep for increased drainage ability
- Perforated hinge for added drainage
- Single section width to 144" (3658)
- Solution dyed polypropylene fibers, 27 oz/sqyd with 50% Blend 600/12-Denier multi-filament and 595/D1 monofilament. Fibers are fusion bonded to continuous two-ply rigid backing.
- Fibers are waterproof with UV inhibitors for exterior use
- Static Coefficient of Friction (ASTM D2047) Dry: 0.64, Wet: 0.67

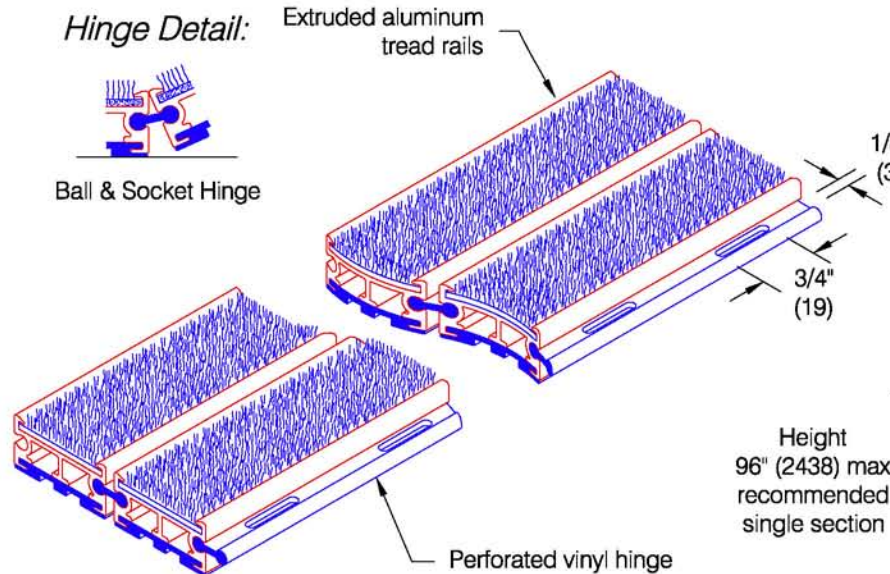
### Optional Framing:

#### Note On Dimensions:

\* Amarco requires that exact mat opening dimensions be provided. Factory will fabricate mats 1/4" (6) smaller than exact opening dimensions to allow for proper fit.



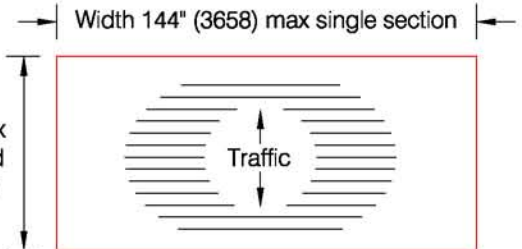
### Hinge Detail:



### Finishes:

- Aluminum tread:
  - Mill finish (standard) #405
  - Medium bronze anodized #404
  - Clear anodized #403
  - Black anodized #462
- Vinyl cushion, nosing, and hinge: Black
- Bristle filament carpet insert: Manufacturer's standard colors

### Sectioning information:



\* Mats over 48 square feet may require sectioning as determined by the factory

Amarco reserves the right to discontinue a design or modify an existing design without prior notice

Customer :

Project :

Architect :

Sales Rep :

ED.35.2b