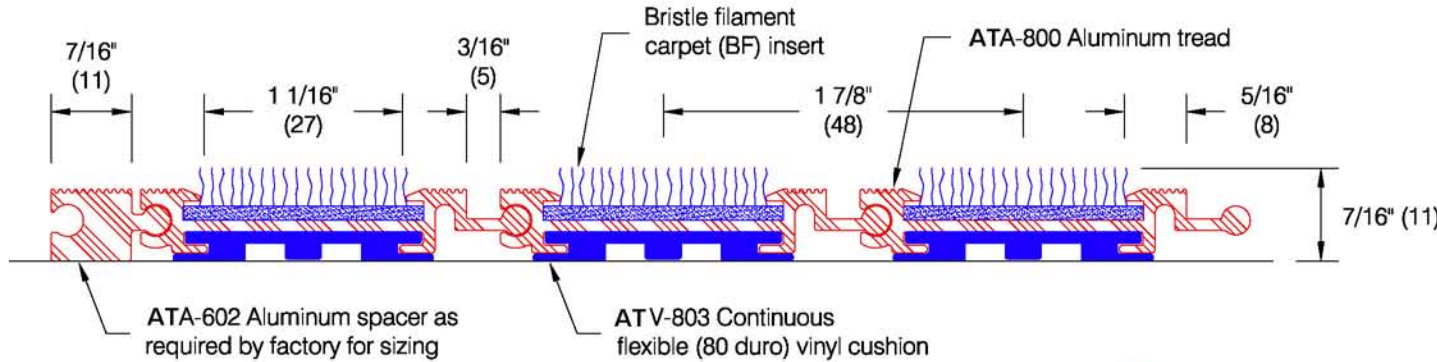


## AT-800 AL-TRACK *Bristle Filament Carpet Insert*

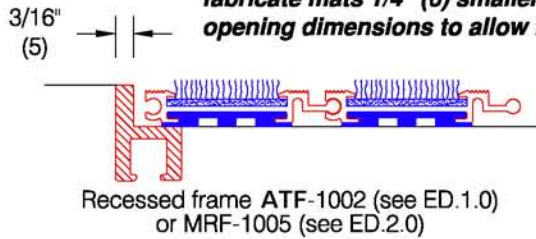


**Features:**

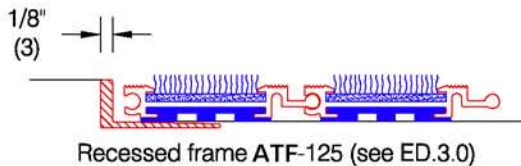
- Extruded aluminum treads alloy 6063-T52
- Continuous flexible vinyl cushion for superior noise reduction
- Roll-Up for easy cleaning of recess
- Optional perforated hinge for added drainage
- Single section width to 144" (3658)
- Solution dyed polypropylene fibers, 27 oz/sqyd with 50% Blend 600/12-Denier multi-filament and 595/D1 monofilament. Fibers are fusion bonded to continuous two-ply rigid backing.
- Fibers are waterproof with UV inhibitors for exterior use
- Static Coefficient of Friction (ASTM D2047) Dry: 0.64, Wet: 0.67

**Optional Framing:**

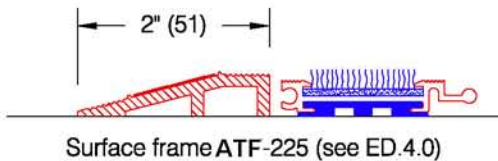
**\* Amarco requires that exact opening dimensions be provided. Factory will fabricate mats 1/4" (6) smaller than exact opening dimensions to allow for proper fit.**



Recessed frame ATF-1002 (see ED.1.0) or MRF-1005 (see ED.2.0)



Recessed frame ATF-125 (see ED.3.0)

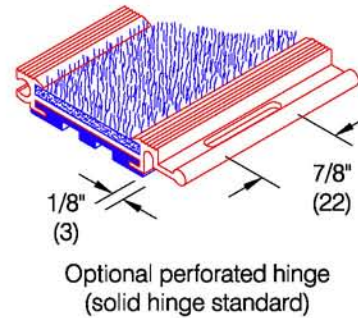


Surface frame ATF-225 (see ED.4.0)

**Hinge Details:**



Ball & Socket Hinge



Optional perforated hinge (solid hinge standard)

**Optional Nosings:**



Square vinyl nosing (see ED.20.0)

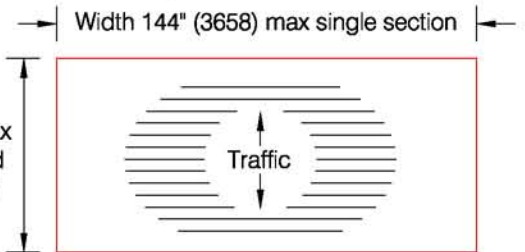


Beveled vinyl nosing (see ED.21.0)

**Finishes:**

- Aluminum tread and spacers: Mill finish (standard) #405, Medium bronze anodized #404, Clear anodized #403, Black anodized #462
- Vinyl cushion: Black
- Bristle filament carpet insert: Manufacturer's standard colors

**Sectioning information:**



**\* Mats over 66 square feet may require sectioning as determined by the factory**

Amarco reserves the right to discontinue a design or modify an existing design without prior notice

Customer :	Project :	ED.15.0d
Architect :	Sales Rep :	