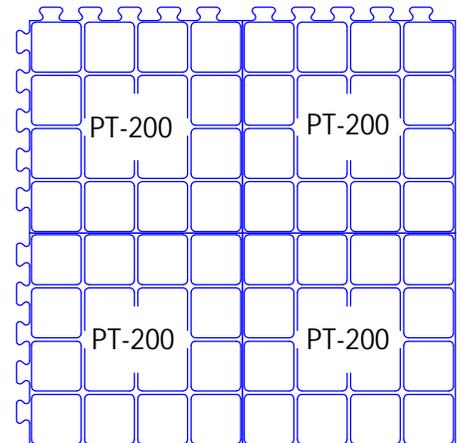
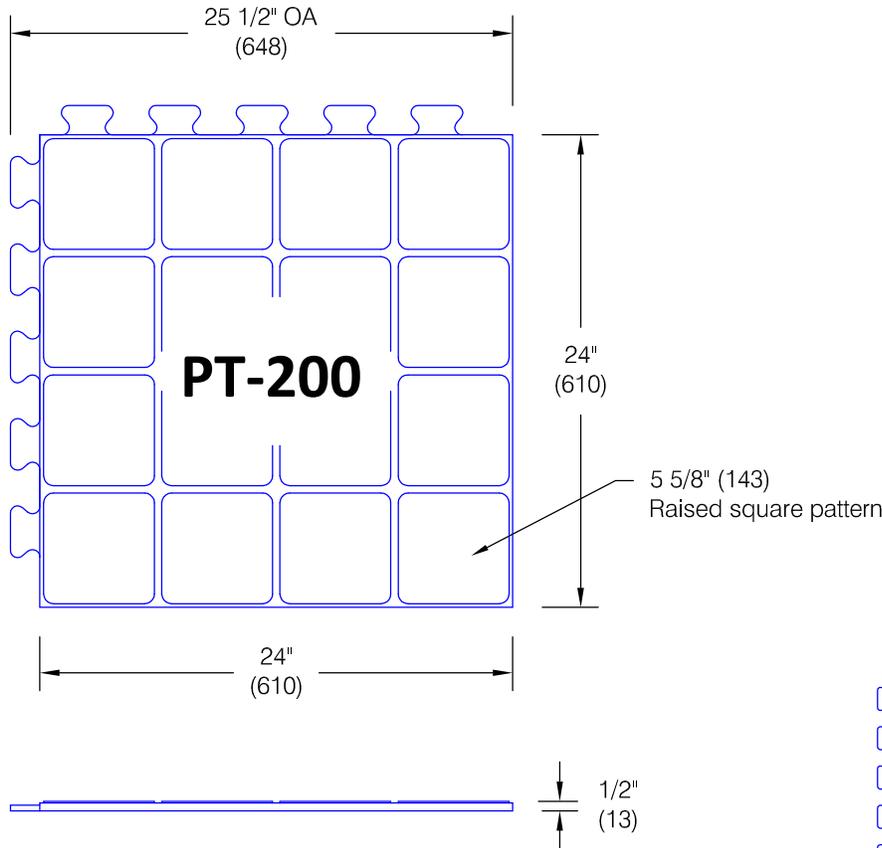


Features:

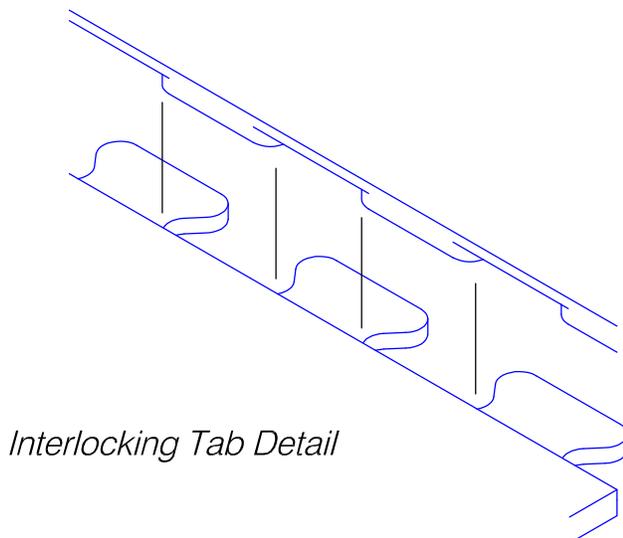
- Hidden interlocking tabs
- No adhesives required
- Solid color throughout
- Manufactured from premium virgin SBR rubber compound
- Class 1 flammability (ASTM E648)

Finishes:

- Manufacturer's standard colors
- Polished smooth finish



Application Diagram



Interlocking Tab Detail

<i>Customer :</i>	<i>Project :</i>	RD.1.0c
<i>Architect :</i>	<i>Sales Rep :</i>	