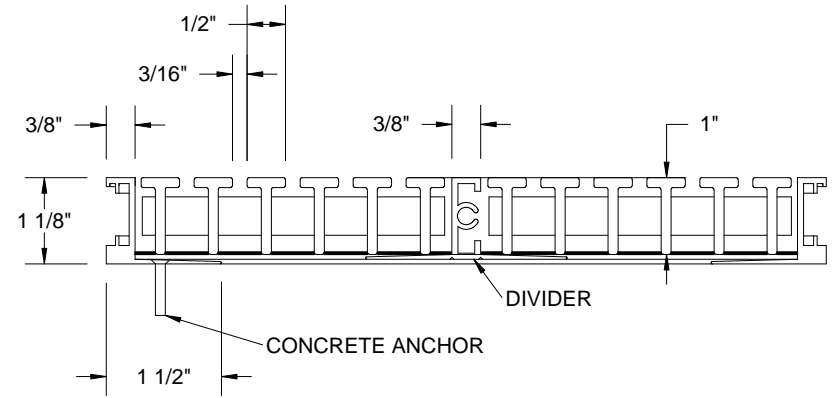
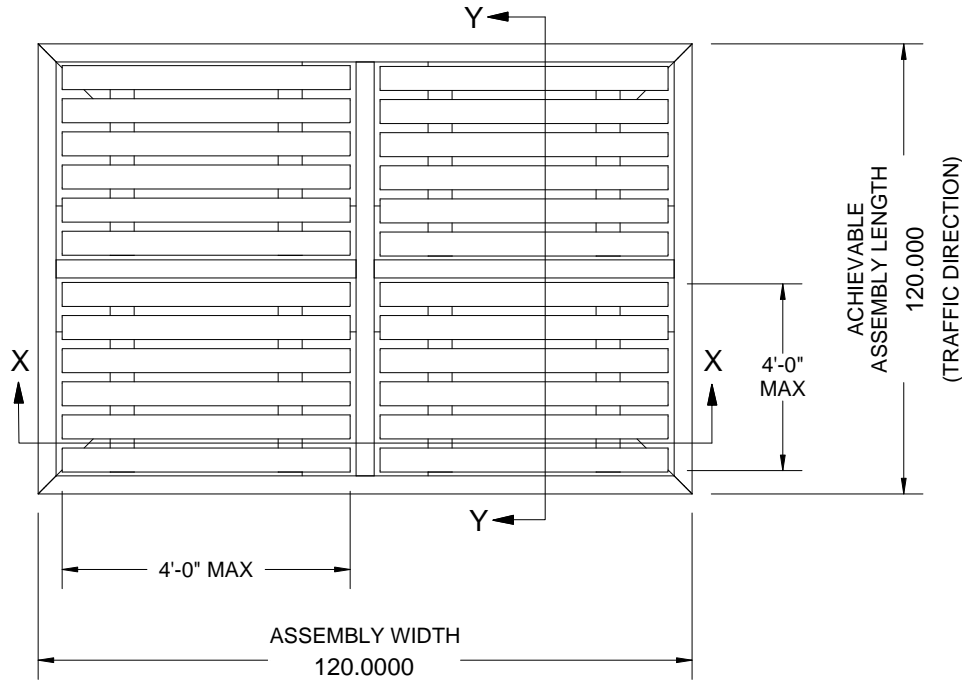


G-550P

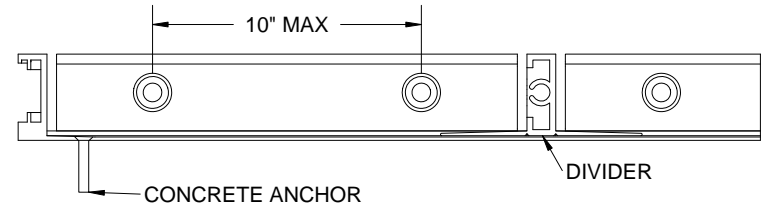
1					
QTY.	MODEL	WIDTH	LENGTH	LOCATION	

RECESS OPENING DIMENSIONS:

120.000 WIDTH X 120.000 LENGTH



SECTION Y-Y

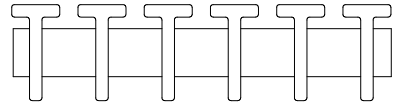


SECTION X-X

- NOTES:
- MAXIMUM GRATE SECTION SIZE NOT TO EXCEED 48" X 48"
 - GRATE MUST BE INSTALLED IN A LEVEL BED RECESS
 - RAILS ARE 6061-T6 ALUMINUM ALLOY; FRAMES ARE 6063-T6 ALUMINUM ALLOY
 - TREAD RAILS MUST RUN PERPENDICULAR TO TRAFFIC DIRECTION
 - DESIGN CLEARANCE BETWEEN GRATE AND FRAME IS 1/8"
 - ACTUAL ACHIEVEABLE GRATE LENGTH IS DEPENDANT ON BOTH NUMBER AND SIZE OF SECTIONS
 - SITE OPENING LENGTH MUST BE ADJUSTED TO GRATE AND FRAME ACHIEVEABLE LENGTH
 - ADDITIONAL INFORMATION CAN BE FOUND IN THE PRODUCT SPECIFICATION AND IS CONSIDERED PART OF THIS TRANSMITTAL

PROJECT:					
ARCHITECT:					
CONTRACTOR:					
RAIL:		G-550P			
FRAME:		G-550L			
TITLE:		G-550P - 1" Plank Grid Foot Grille Mechanically Fastened Frame			
	NAME	DATE	SIZE	DWG. NO.	REV
DRAWN	DKL	01/12/18	A		A
RELEASED	DT	01/12/18	WEIGHT:		SHEET 1 OF 1

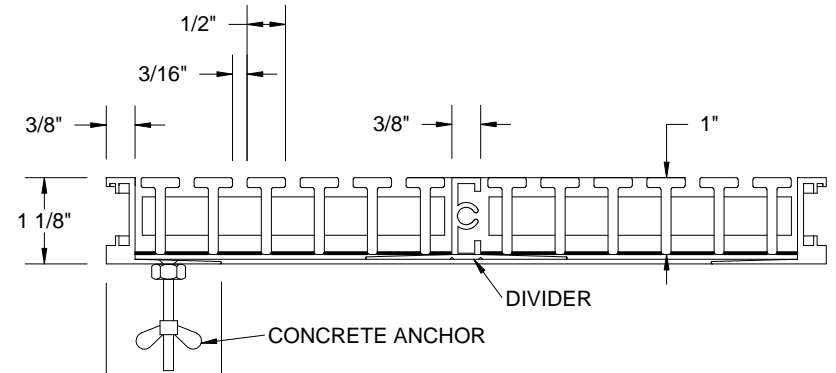
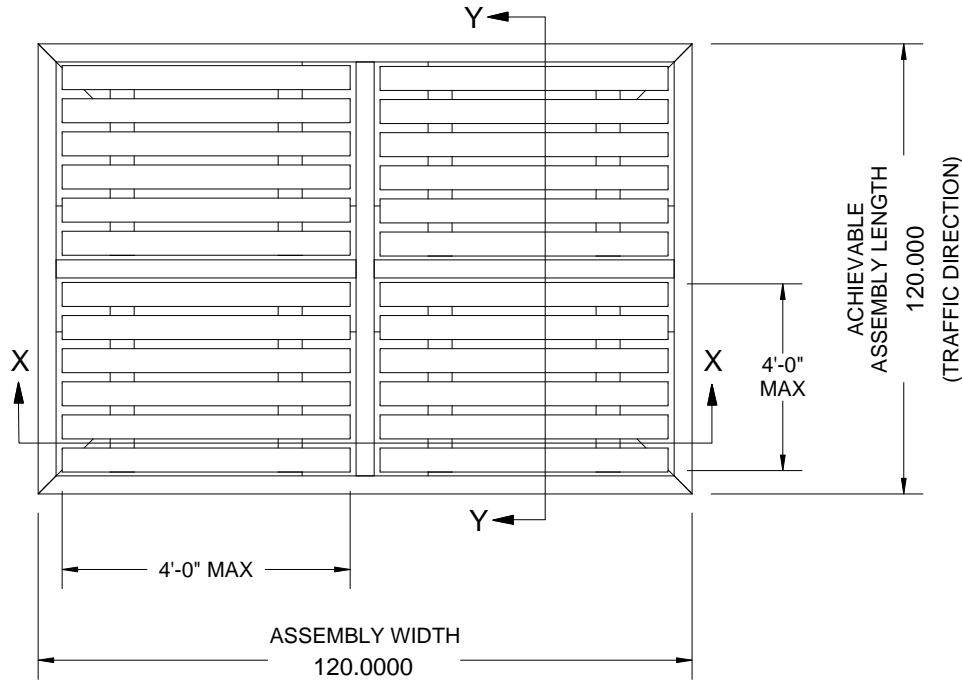
PROPRIETARY AND CONFIDENTIAL: THE INFORMATION CONTAINED IN THIS DRAWING IS THE SOLE PROPERTY OF AMARCO PRODUCTS. ANY REPRODUCTION IN PART OR AS A WHOLE WITHOUT THE WRITTEN PERMISSION OF AMARCO PRODUCTS IS PROHIBITED.



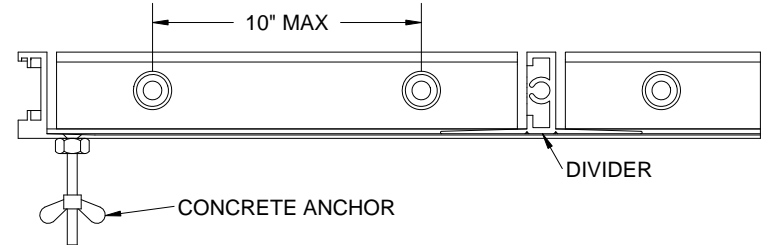
G-550P

RECESS OPENING DIMENSIONS:

120.000 WIDTH X 120.000 LENGTH



SECTION Y-Y



SECTION X-X

- NOTES:
- MAXIMUM GRATE SECTION SIZE NOT TO EXCEED 48" X 48"
 - GRATE MUST BE INSTALLED IN A LEVEL BED RECESS
 - RAILS ARE 6061-T6 ALUMINUM ALLOY; FRAMES ARE 6063-T6 ALUMINUM ALLOY
 - TREAD RAILS MUST RUN PERPENDICULAR TO TRAFFIC DIRECTION
 - DESIGN CLEARANCE BETWEEN GRATE AND FRAME IS 1/8"
 - ACTUAL ACHIEVABLE GRATE LENGTH IS DEPENDANT ON BOTH NUMBER AND SIZE OF SECTIONS
 - SITE OPENING LENGTH MUST BE ADJUSTED TO GRATE AND FRAME ACHIEVABLE LENGTH
 - ADDITIONAL INFORMATION CAN BE FOUND IN THE PRODUCT SPECIFICATION AND IS CONSIDERED PART OF THIS TRANSMITTAL

PROJECT:			
ARCHITECT:			
CONTRACTOR:			
RAIL:		G-550P	
FRAME:		G-550P-C	
TITLE:		G-550P - 1" Plank Grid Foot Grille Cast In Frame	
NAME	DATE	SIZE	DWG. NO.
DKL	01/12/18	A	
RELEASED	DT	01/12/18	WEIGHT:
			SHEET 1 OF 1