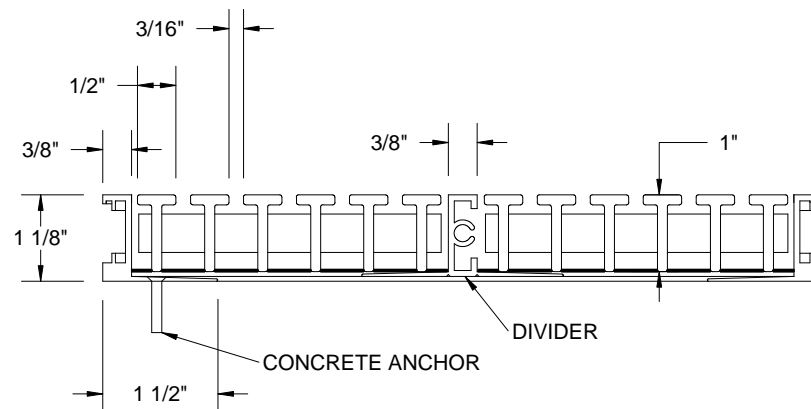
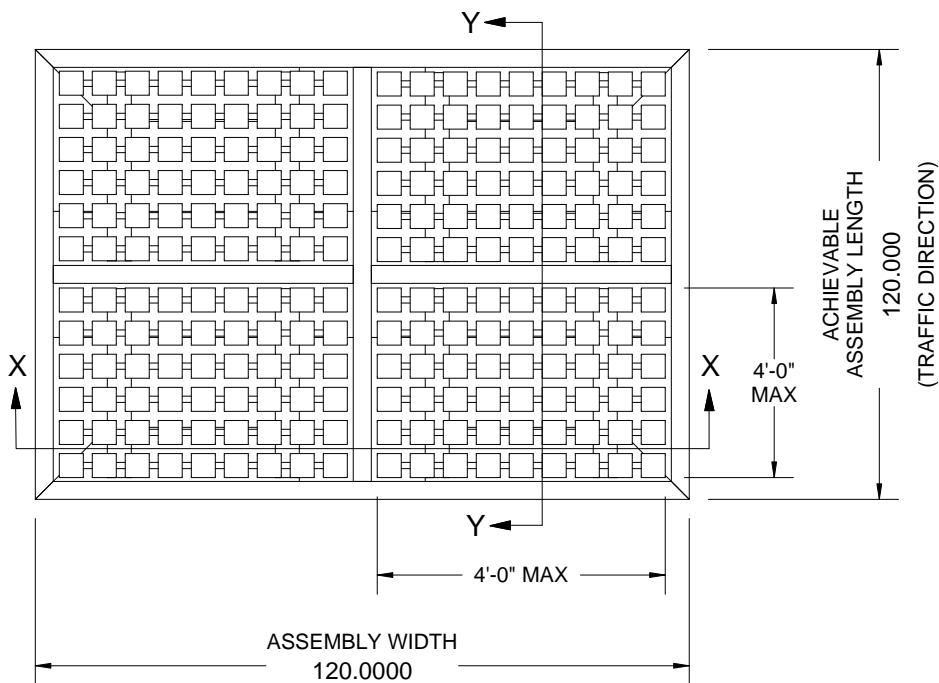


G-550W

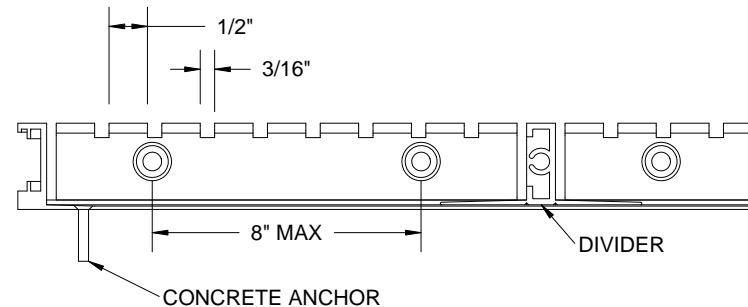
QTY.	MODEL	WIDTH	LENGTH	LOCATION

RECESS OPENING DIMENSIONS:

120.000 WIDTH X 120.000 LENGTH



SECTION Y-Y



SECTION X-X

- NOTES:
- MAXIMUM GRATE SECTION SIZE NOT TO EXCEED 48" X 48"
 - GRATE MUST BE INSTALLED IN A LEVEL BED RECESS
 - RAILS ARE 6061-T6 ALUMINUM ALLOY; FRAMES ARE 6063-T6 ALUMINUM ALLOY
 - TREAD RAILS MUST RUN PERPENDICULAR TO TRAFFIC DIRECTION
 - DESIGN CLEARANCE BETWEEN GRATE AND FRAME IS 1/8"
 - ACTUAL ACHIEVEABLE GRATE LENGTH IS DEPENDANT ON BOTH NUMBER AND SIZE OF SECTIONS
 - SITE OPENING LENGTH MUST BE ADJUSTED TO GRATE AND FRAME ACHIEVEABLE LENGTH
 - ADDITIONAL INFORMATION CAN BE FOUND IN THE PRODUCT SPECIFICATION AND IS CONSIDERED PART OF THIS TRANSMITTAL

PROJECT:

ARCHITECT:

CONTRACTOR:

QTY:

G-550W

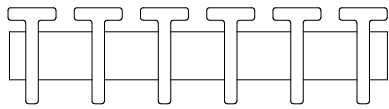
PART#:

G-550L



TITLE: G-550W - 1" Waffle Grid Foot Grille
L-Angle Frame

NAME	DATE	SIZE	DWG. NO.	REV
DRAWN	DKL	01/12/18	A	
RELEASED	DT	01/12/18	WEIGHT:	SHEET 1 OF 1

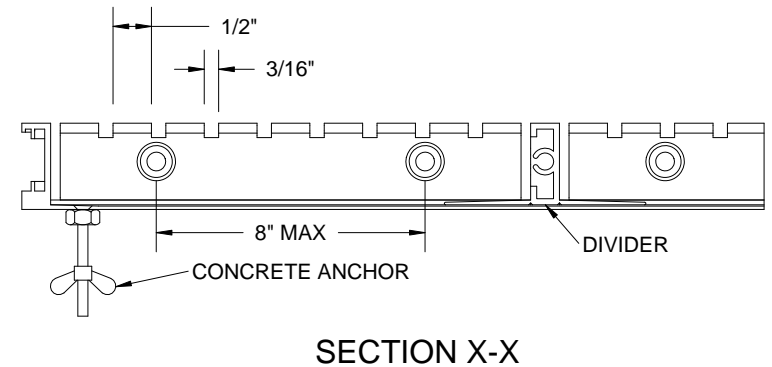
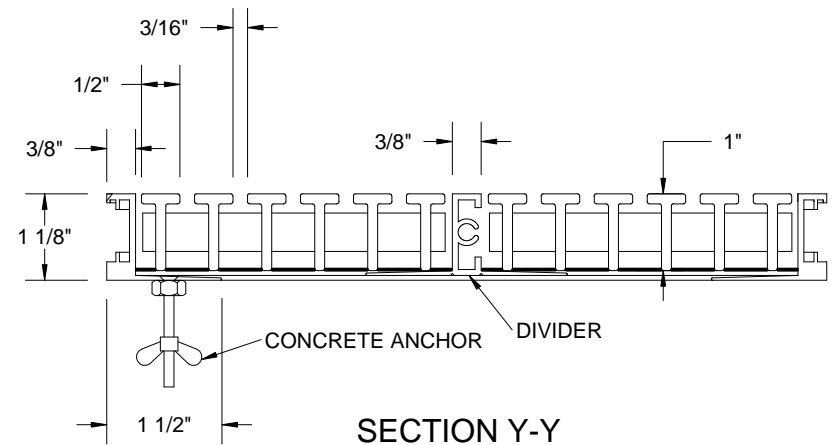
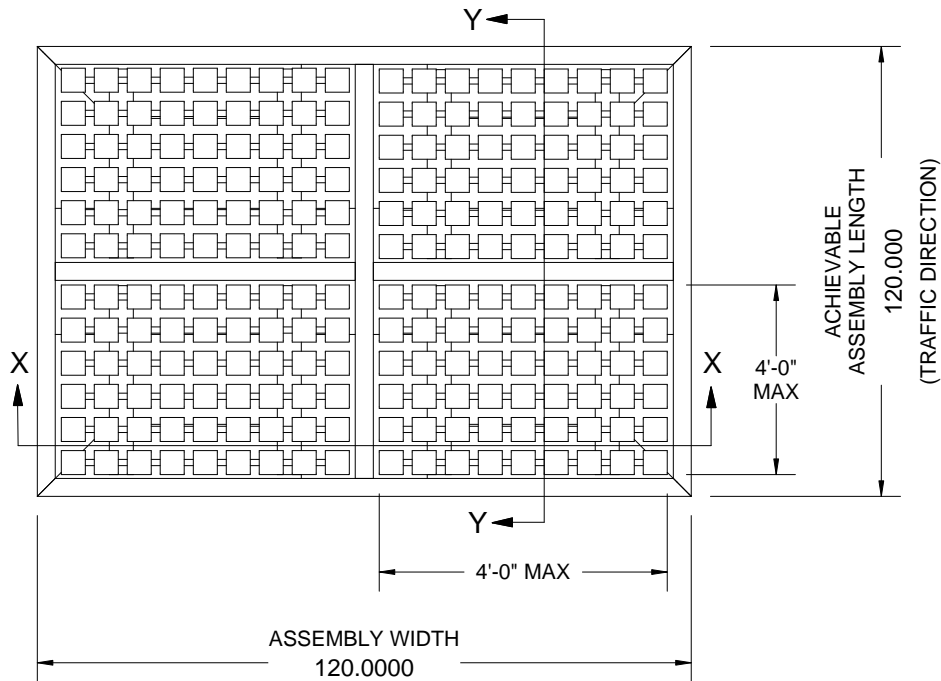


G-550W

QTY.	MODEL	WIDTH	LENGTH	LOCATION

RECESS OPENING DIMENSIONS:

120.000 WIDTH X 120.000 LENGTH



- NOTES:
- MAXIMUM GRATE SECTION SIZE NOT TO EXCEED 48" X 48"
 - GRATE MUST BE INSTALLED IN A LEVEL BED RECESS
 - RAILS ARE 6061-T6 ALUMINUM ALLOY; FRAMES ARE 6063-T6 ALUMINUM ALLOY
 - TREAD RAILS MUST RUN PERPENDICULAR TO TRAFFIC DIRECTION
 - DESIGN CLEARANCE BETWEEN GRATE AND FRAME IS 1/8"
 - ACTUAL ACHIEVEABLE GRATE LENGTH IS DEPENDANT ON BOTH NUMBER AND SIZE OF SECTIONS
 - SITE OPENING LENGTH MUST BE ADJUSTED TO GRATE AND FRAME ACHIEVEABLE LENGTH
 - ADDITIONAL INFORMATION CAN BE FOUND IN THE PRODUCT SPECIFICATION AND IS CONSIDERED PART OF THIS TRANSMITTAL

PROJECT:

ARCHITECT:

CONTRACTOR:

QTY:

G-550W

PART#:

G-550C



TITLE: G-550W - 1" Waffle Grid Foot Grille
Cast In Frame

NAME	DATE	SIZE	DWG. NO.	REV
DRAWN DKL	01/12/18	A		
RELEASED DT	01/12/18	WEIGHT:		SHEET 1 OF 1