

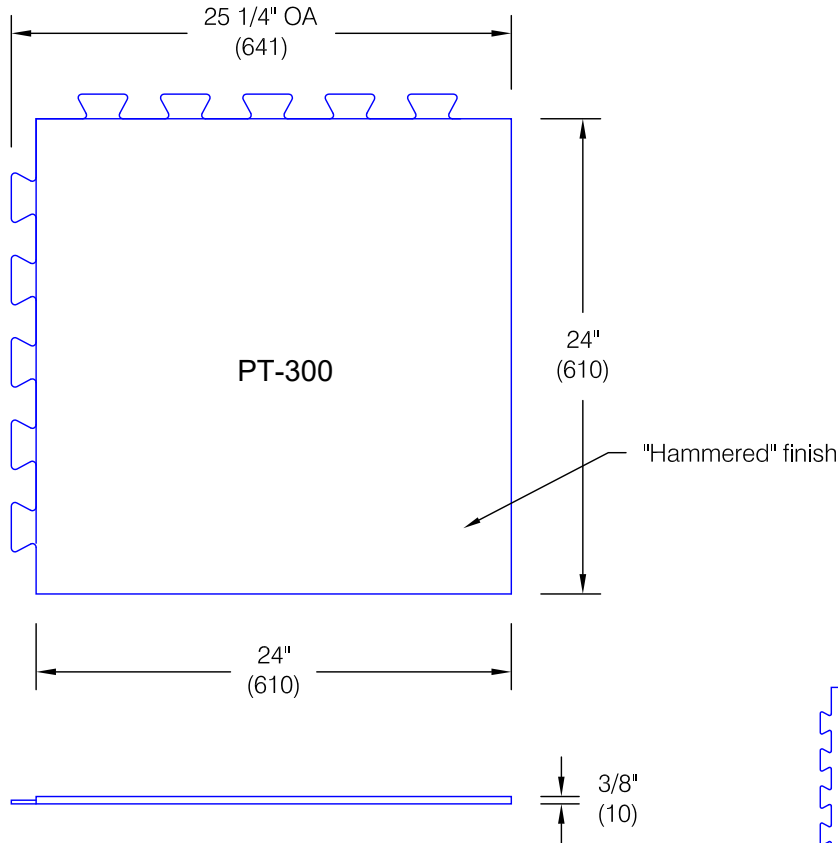
PT-300 3/8" Hammered Virgin Rubber Gym Tile

Features:

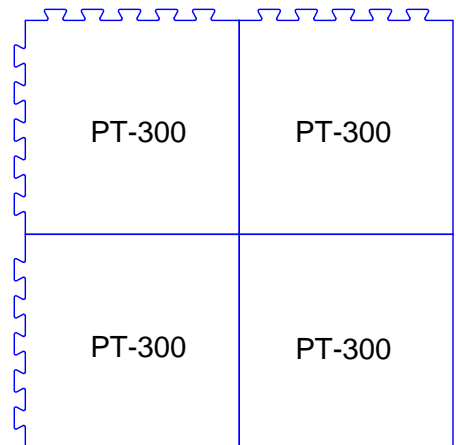
- Hidden interlocking tabs
- No adhesives required
- Solid color throughout
- Manufactured from premium virgin SBR rubber compound
- Class 1 flammability (ASTM E648)

Finishes:

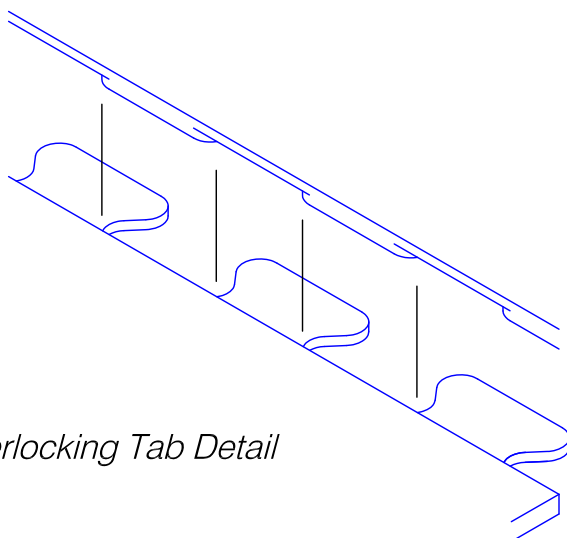
- Manufacturer's standard colors



PT-300



Application Diagram



Interlocking Tab Detail

Amarco Products reserves the right to discontinue a design or modify an existing design without prior notice

Customer :	Project :	
Architect :	Sales Rep :	