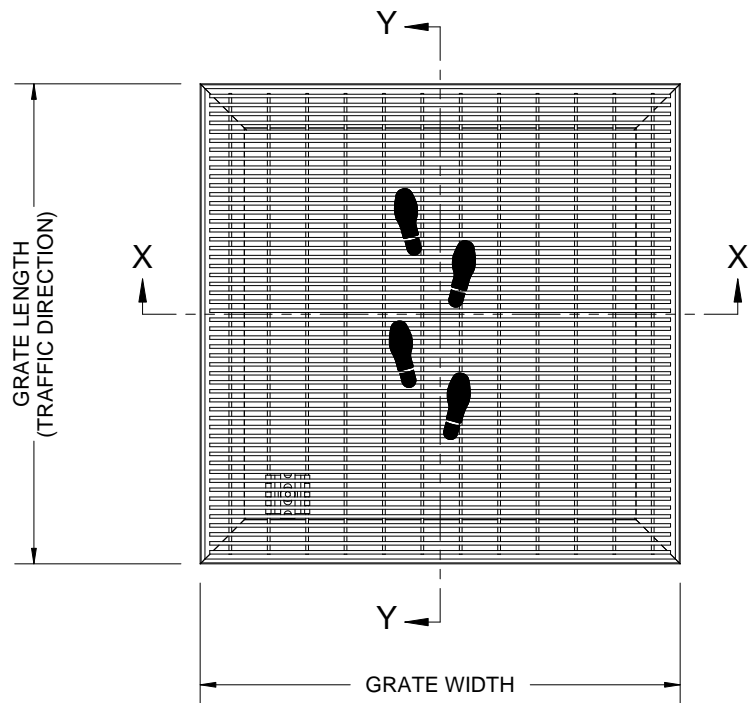


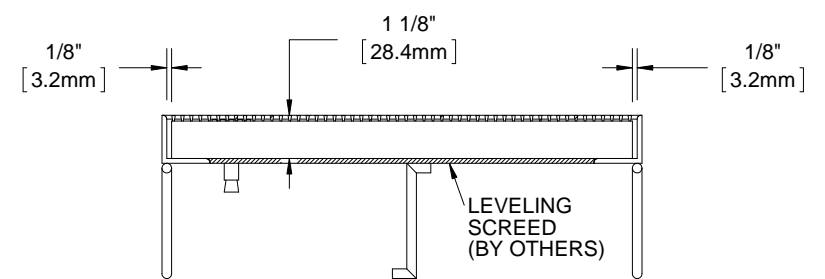
ST-98C

QTY	MODEL	WIDTH	LENGTH	FINISH	LOCATION

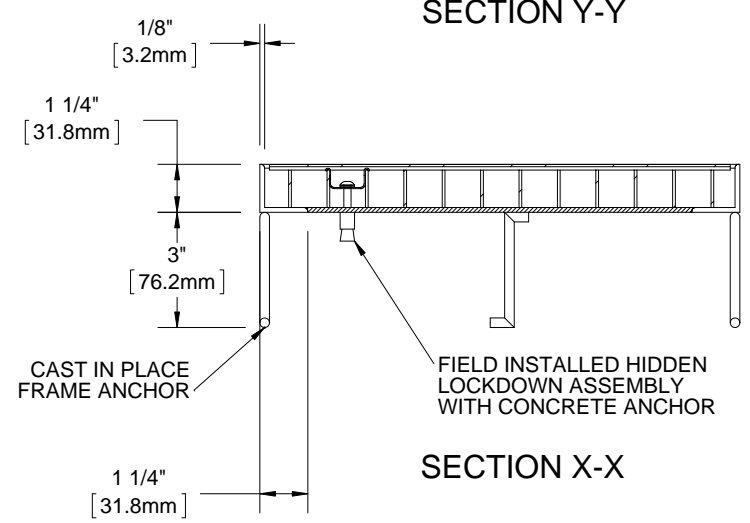
B



B



SECTION Y-Y




SECTION X-X

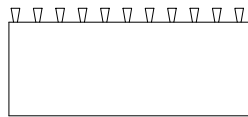
A

A

- NOTES:**
- FRAME ANCHOR SPACING: 6" FROM CORNERS, 24" MAX
  - ALL STAINLESS STEEL FRAME CORNERS ARE WELDED
  - ALL RAIL COMPONENTS ARE MADE OF TYPE 304 STAINLESS STEEL, ALL FRAME COMPONENTS ARE MADE OF TYPE 304 STAINLESS STEEL OR 6063-T5 ALUM ALLOY
  - FOR MAXIMUM STRENGTH, EACH JOINT BETWEEN SURFACE WIRES AND SUPPORT RODS SHALL BE RESISTANCE WELDED. BECAUSE OF THE MANUFACTURING PROCESS USED TO DO THIS, THE SURFACE WIRES AND SUPPORT RODS ARE NOT PERPENDICULAR, AND THE WIRES AND RODS OF ADJACENT SECTIONS WILL NOT BE ALIGNED.
  - GRATE IS MADE WITH .093" X .156" (2.4mm X 4.0mm) STAINLESS STEEL WIRE SPACED .233 (5.9mm) O.C. AND WELDED SUPPORT RODS SPACED 1" (25.4mm) O.C.
  - TREAD WIRE MUST RUN PERPENDICULAR TO TRAFFIC DIRECTION
  - ADDITIONAL INFORMATION CAN BE FOUND IN THE PRODUCT SPECIFICATION AND IS CONSIDERED PART OF THIS TRANSMITTAL.
  - FRAME MODEL NUMBER: ST-98C

PROJECT:			
ARCHITECT:			
CONTRACTOR:			
 <p>AMARCO PRODUCTS info@amarcomats.com   (866) 688-6287</p>		DESCRIPTION:	
		ST-98, 9/8", Stainless Steel Grate with Cast in Place, Level Bed, Stainless Steel Frame	
NAME	DATE	SIZE	DWG. NO.
DRAWN		A	ST-98C
RELEASED		SCALE: NTS	SHEET 1 OF 1
			REV B

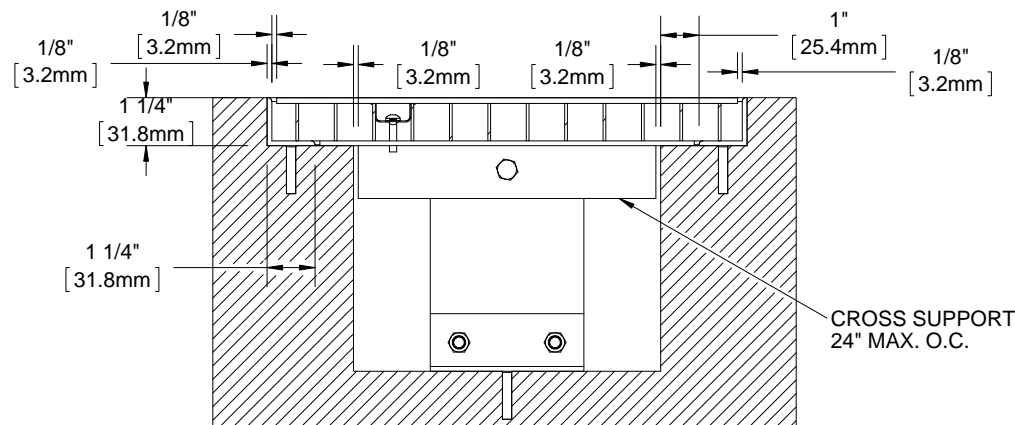
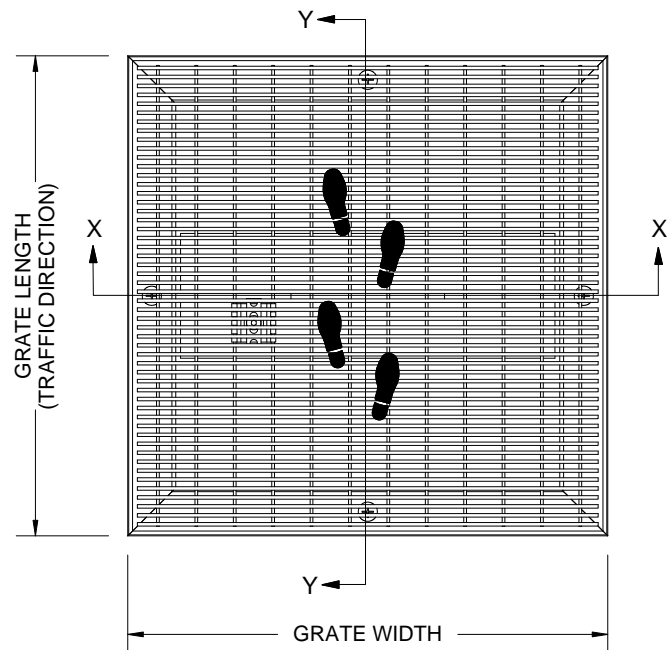
PROPRIETARY AND CONFIDENTIAL: THE INFORMATION CONTAINED IN THIS DRAWING IS THE SOLE PROPERTY OF AMARCO PRODUCTS. ANY REPRODUCTION IN PART OR AS A WHOLE WITHOUT THE WRITTEN PERMISSION OF AMARCO PRODUCTS IS PROHIBITED.



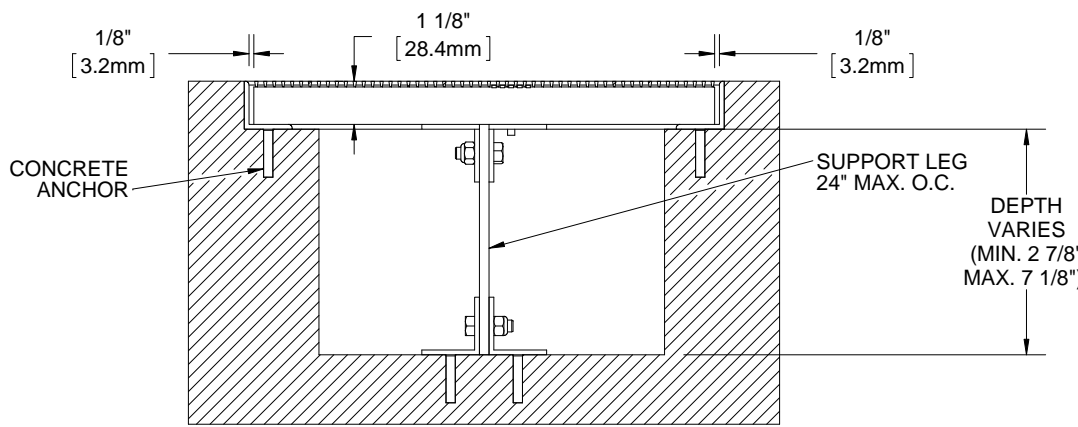
ST-98D

QTY	MODEL	WIDTH	LENGTH	FINISH	LOCATION

B



SECTION X-X




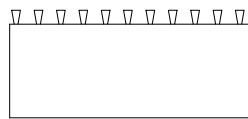
SECTION Y-Y

A

- NOTES:**
- FRAME ANCHOR SPACING: 6" FROM CORNERS, 24" MAX
  - ALL STAINLESS STEEL FRAME CORNERS ARE WELDED
  - ALL RAIL COMPONENTS ARE MADE OF TYPE 304 STAINLESS STEEL, ALL FRAME COMPONENTS ARE MADE OF TYPE 304 STAINLESS STEEL, ALL CROSS SUPPORTS ARE ALUMINUM
  - FOR MAXIMUM STRENGTH, EACH JOINT BETWEEN SURFACE WIRES AND SUPPORT RODS SHALL BE RESISTANCE WELDED. BECAUSE OF THE MANUFACTURING PROCESS USED TO DO THIS, THE SURFACE WIRES AND SUPPORT RODS ARE NOT PERPENDICULAR, AND THE WIRES AND RODS OF ADJACENT SECTIONS WILL NOT BE ALIGNED.
  - GRATE IS MADE WITH .093" X .156" (2.4mm X 4.0mm) STAINLESS STEEL WIRE SPACED .233 (5.9mm) O.C. AND WELDED SUPPORT RODS SPACED 1" (25.4mm) O.C.
  - TREAD WIRE MUST RUN PERPENDICULAR TO TRAFFIC DIRECTION
  - ADDITIONAL INFORMATION CAN BE FOUND IN THE PRODUCT SPECIFICATION AND IS CONSIDERED PART OF THIS TRANSMITTAL.
  - FRAME MODEL NUMBER: 'ST-98D'

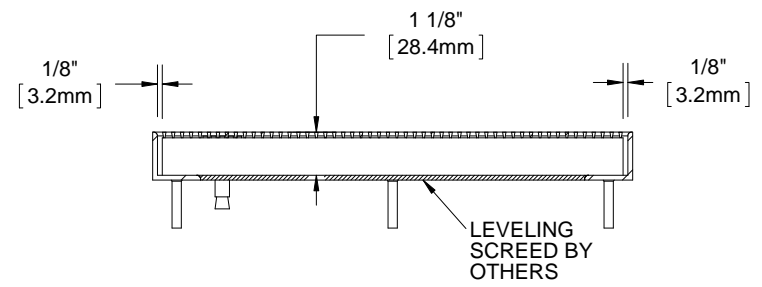
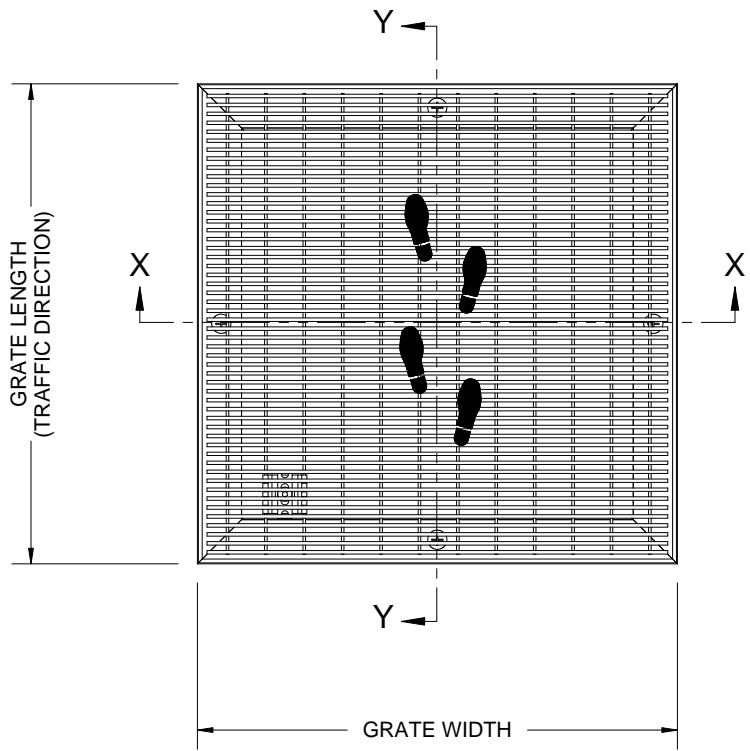
PROPRIETARY AND CONFIDENTIAL: THE INFORMATION CONTAINED IN THIS DRAWING IS THE SOLE PROPERTY OF AMARCO PRODUCTS. ANY REPRODUCTION IN PART OR AS A WHOLE WITHOUT THE WRITTEN PERMISSION OF AMARCO PRODUCTS IS PROHIBITED.

PROJECT:			
ARCHITECT:			
CONTRACTOR:			
		DESCRIPTION:	
		ST-98D, 9/8", Stainless Steel Grate with Adjustable Deep Pit Frame	
NAME	DATE	SIZE	DWG. NO.
DRAWN		A	ST-98D
RELEASED		SCALE: NTS	SHEET 1 OF 1
			REV B

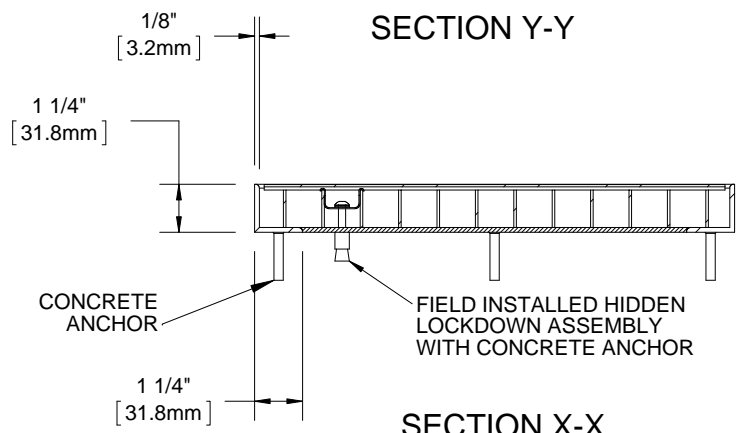


ST-98L

QTY	MODEL	WIDTH	LENGTH	FINISH	LOCATION



SECTION Y-Y



SECTION X-X

**NOTES:**

- FRAME ANCHOR SPACING: 6" FROM CORNERS, 24" MAX
- ALL STAINLESS STEEL FRAME CORNERS ARE WELDED
- ALL RAIL COMPONENTS ARE MADE OF TYPE 304 STAINLESS STEEL, ALL FRAME COMPONENTS ARE MADE OF TYPE 304 STAINLESS STEEL
- FOR MAXIMUM STRENGTH, EACH JOINT BETWEEN SURFACE WIRES AND SUPPORT RODS SHALL BE RESISTANCE WELDED, BECAUSE OF THE MANUFACTURING PROCESS USED TO DO THIS, THE SURFACE WIRES AND SUPPORT RODS ARE NOT PERPENDICULAR, AND THE WIRES AND RODS OF ADJACENT SECTIONS WILL NOT BE ALIGNED.
- GRATE IS MADE WITH .093" X .156" (2.4mm X 4.0mm) STAINLESS STEEL WIRE SPACED .233 (5.9mm) O.C. AND WELDED SUPPORT RODS SPACED 1" (25.4mm) O.C.
- TREAD WIRE MUST RUN PERPENDICULAR TO TRAFFIC DIRECTION
- ADDITIONAL INFORMATION CAN BE FOUND IN THE PRODUCT SPECIFICATION AND IS CONSIDERED PART OF THIS TRANSMITTAL.
- FRAME MODEL NUMBER:

PROPRIETARY AND CONFIDENTIAL: THE INFORMATION CONTAINED IN THIS DRAWING IS THE SOLE PROPERTY OF AMARCO PRODUCTS. ANY REPRODUCTION IN PART OR AS A WHOLE WITHOUT THE WRITTEN PERMISSION OF AMARCO PRODUCTS IS PROHIBITED.

PROJECT:			
ARCHITECT:			
CONTRACTOR:			
 info@amarcomats.com   (866) 688-6287		DESCRIPTION:	
		ST-98L, 9/8", Stainless Steel Grate with Mechanically Fastened, Level Bed, Stainless Steel Frame	
NAME	DATE	SIZE	DWG. NO.
DRAWN		A	ST-98L
RELEASED		SCALE: NTS	SHEET 1 OF 1
			REV B